

STEINERT KSS

> THE Sensor Solution

STEINERT KSS – THE Sensor Solution

An extensive range – lots of solutions for you. STEINERT is a full-range supplier offering all standard technologies in the form of products extending from state-of-the-art magnetic separators to the most innovative sensor sorters of the STEINERT KSS family. The individual sensors of the products within the STEINERT KSS family can be combined with one another to form independent solutions, either immediately or in the course of a machine upgrade.

TECHNOLOGY

THE form recognition – hits the spot

The new modular structure of the STEINERT KSS units is reflected in the STEINERT KSS 3D. The 3D laser recognizes the position and size of the parts to be separated with millimetre precision. Additional material properties can also be recognized by means of induction or colour cameras (e.g. STEINERT KSS 3D Induction).

Single or multiple items of information acquired by the combination of various sensors enable a wide range of applications: They can sort minerals by colour or other optical properties, sort cable and circuit boards from WEEE or air-bag containers from aluminium scrap.

Regardless of whether you use them to ensure or boost your product quality, form recognition makes possible the appropriate precision. STEINERT KSS 3D stands out as a globally unique technical solution in the company's product portfolio.

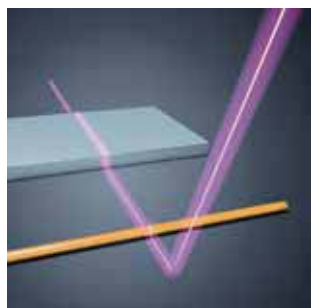
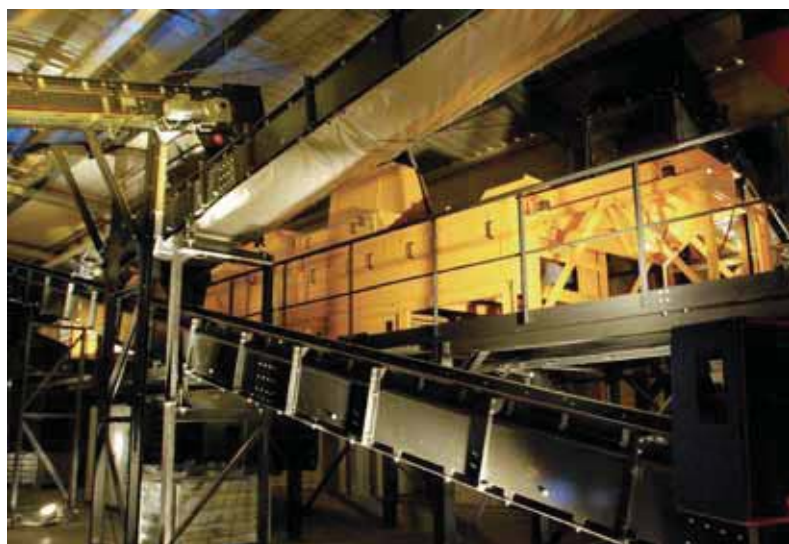
MODELS

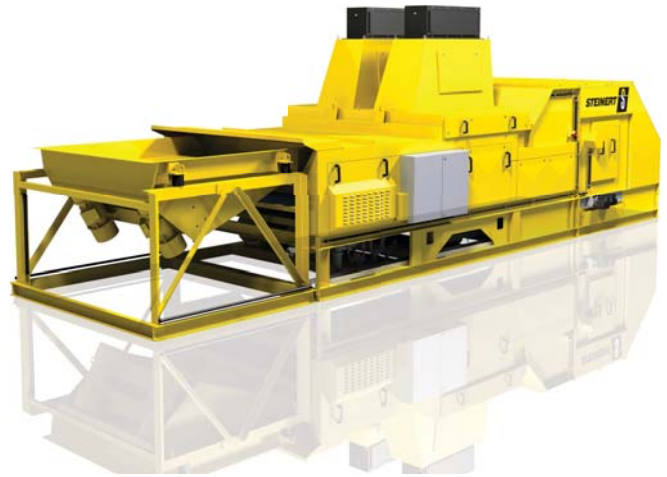
The STEINERT KSS family

Various recognition possibilities match themselves to your needs: Whether it's the STEINERT KSS 3D Induction for improving product quality in the metals area, the STEINERT KSS XRT for separation according to material density or the STEINERT KSS 3D Color – the modular solution for your sorting task.

Naturally, the STEINERT KSS machines incorporate all of the proven and popular benefits for which STEINERT is renowned worldwide:

- technologically leading
- high efficiency
- good separation performance
- good separation results
- high availability
- maintenance friendly
- low operating costs





All STEINERT KSS machines are equipped with active valve control for up to 30 % lower compressed air consumption. The required air blast pressure and the number of the controlled compressed-air valves can be optimally adjusted. The nozzle bar is particularly exact thanks to its grid of pairs of nozzles spaced at 12.5 mm intervals. Your advantages: Optimised separation and reduced operating costs.

The STEINERT KSS machines are designed to meet your requirements: 1 m, 2 m and 3 m width are available. Whenever it's about obtaining raw materials, STEINERT is one of the top addresses – all around the world.

What sets us apart is our comprehensive expertise in processes and an incomparable breadth of expertise in technical sorting solutions.



STEINERT Elektromagnetbau GmbH

Widdersdorfer Straße 329–331
50933 Köln

Germany

Phone: +49 221 4984-0
Fax: +49 221 4984-102
E-Mail: sales@steinert.de
www.steinert.de

Tochtergesellschaften

Subsidiaries

RTT STEINERT GmbH

Hirschfelder Ring 9
D-02763 Zittau
Germany
Phone: +49 3583 540-840
Fax: +49 3583 540-8444
E-Mail: sales@steinert.de
www.unisort.de

North America

STEINERT US Inc.
285 Shorland Drive
Walton, KY 41094
U.S.A.
Phone: +1 800 595-4014
Fax: +1 800 511-8714
E-Mail: sales@steinertus.com
www.steinertus.com

Australia/Asia

STEINERT Australia Pty. Ltd.
14 Longstaff Road
VIC 3153, Bayswater
Australia
Phone: +61 3 8720-0800
Fax: +61 3 8720-0888
E-Mail: sales@steinert.com.au
www.steinert.com.au

Japan

STEINERT Japan Co. Ltd
703 President Roppongi
3-2-16, Nishi-Azabu
Minato-ku, Tokyo 106-0031
Japan
Phone: +81 3-6804-5607
Fax: +81 3-6804-5608
E-Mail: sales@steinert.jp
www.steinert.jp

South America

STEINERT Latinoamericana Ltda.
Av. Heráclito Mourço de Miranda, 2080
Bairro Castelo
31330-382 Belo Horizonte
Brazil
Phone: +55 31 3372-7560
Fax: +55 31 3372-6995
E-Mail: steinert@steinert.com.br
www.steinert.com.br

Niederlassungen

Branches

China

STEINERT China Ltd.
Room 1009, Building B,
Jinhai Wealth Commercial Centre,
Baiziwanzili, Chaoyang District,
Beijing 100124
China
Phone: +86 1059694456
Fax: +86 1059694459
E-Mail: china@steinert.de
www.steinertchina.com.cn

Singapore

STEINERT Asia
33 Maude Road #02-01
Singapore 208344
Phone: +65 62939556
Fax: +65 62988231
E-Mail: singapore@steinert.de
www.steinertasia.com

Africa

STEINERT Africa
IMS Engineering (Pty) Ltd
10 Derrick Road, Spartan
Kempton Park, 1620
Republic of South Africa
Phone: +27 10 001 8200
Fax: +27 11 970 3200
E-Mail: south-africa@steinert.de
www.imsengineering.co.za

Subject to technical modifications.

Your local STEINERT consultant:

